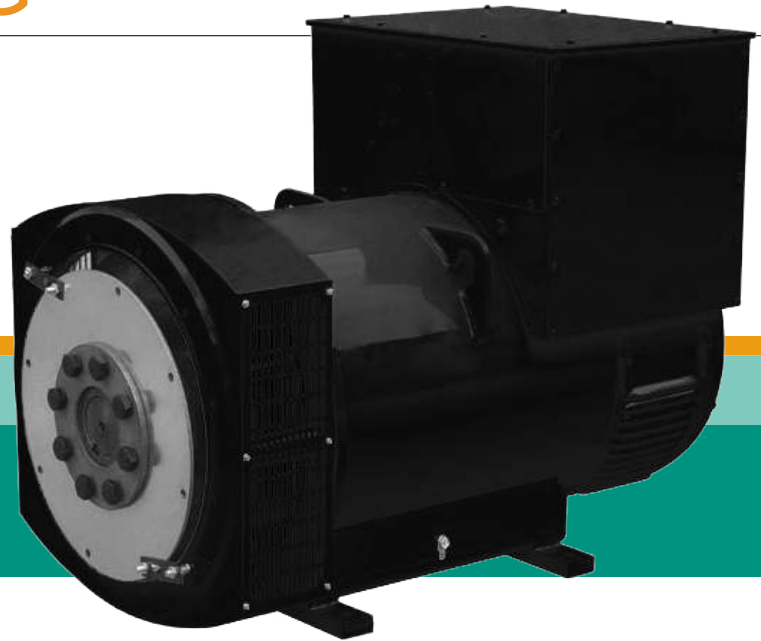




SERIES THREE-PHASE BRUSHLESS  
SYNCHRONOUS ALTERNATOR



**SLG314**  
TECHNICAL DATA SHEET

50Hz CLASS "H"

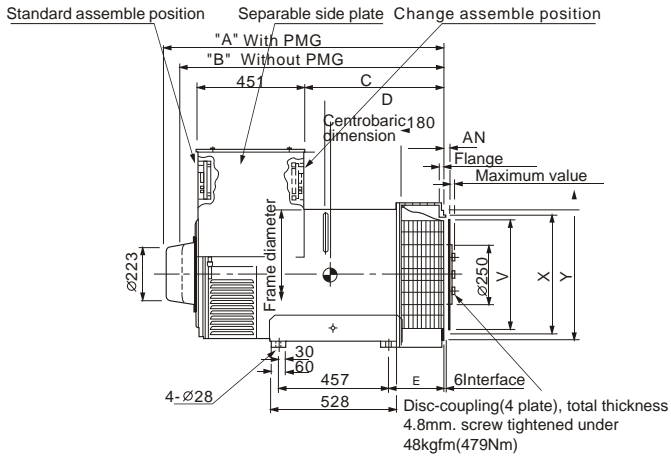
| RATINGS                       | Winding 311 / 0.8 Power Factor |     |     |     |     |     |     |     |                   |     |     |     |     |     |     |     |
|-------------------------------|--------------------------------|-----|-----|-----|-----|-----|-----|-----|-------------------|-----|-----|-----|-----|-----|-----|-----|
| Duty / Temp Rise / Ambient T° | Cont./125k/40°C                |     |     |     |     |     |     |     | Standby/150k/40°C |     |     |     |     |     |     |     |
| PHASE                         | 3 PHASE                        |     |     |     |     |     |     |     |                   |     |     |     |     |     |     |     |
| SERIES STAR                   | 380                            | 400 | 415 | 440 | 380 | 400 | 415 | 440 | 380               | 400 | 415 | 440 | 380 | 400 | 415 | 440 |
| PARALLEL STAR                 | 190                            | 200 | 208 | 220 | 190 | 200 | 208 | 220 | 190               | 200 | 208 | 220 | 190 | 200 | 208 | 220 |
| SERIES DELTA                  | 220                            | 230 | 240 | 254 | 220 | 230 | 240 | 254 | 220               | 230 | 240 | 254 | 220 | 230 | 240 | 254 |
| DOUBLE DELTA                  |                                |     |     |     |     |     |     |     |                   |     |     |     |     |     |     |     |
|                               | KVA                            | KW  | KVA | KW  | KVA | KW  | KVA | KW  | KVA               | KW  | KVA | KW  | KVA | KW  | KVA | KW  |
| SLG314C                       | 250                            | 200 | 250 | 200 | 250 | 200 | 250 | 220 | 259               | 207 | 259 | 207 | 259 | 207 | 259 | 207 |
| SLG314D                       | 295                            | 236 | 295 | 236 | 295 | 236 | 280 | 224 | 313               | 250 | 313 | 250 | 313 | 250 | 295 | 236 |
| SLG314E                       | 325                            | 260 | 325 | 260 | 325 | 260 | 325 | 260 | 345               | 276 | 345 | 276 | 345 | 276 | 345 | 276 |
| SLG314F                       | 380                            | 304 | 380 | 304 | 380 | 304 | 380 | 304 | 390               | 312 | 390 | 312 | 390 | 312 | 390 | 312 |
| SLG314G                       | 400                            | 320 | 400 | 320 | 400 | 320 | 400 | 320 | 415               | 332 | 430 | 344 | 430 | 344 | 430 | 344 |

60Hz CLASS "H"

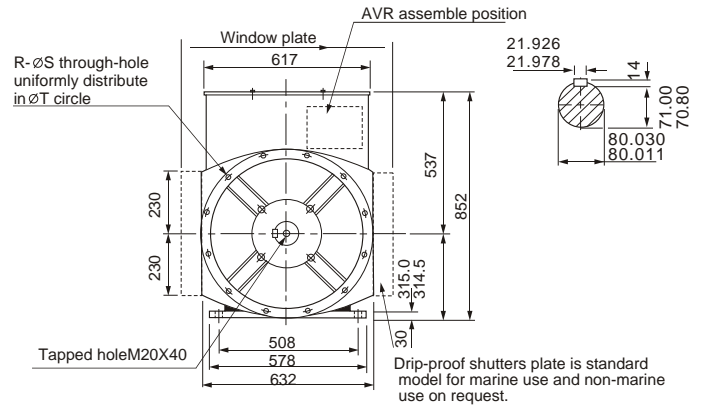
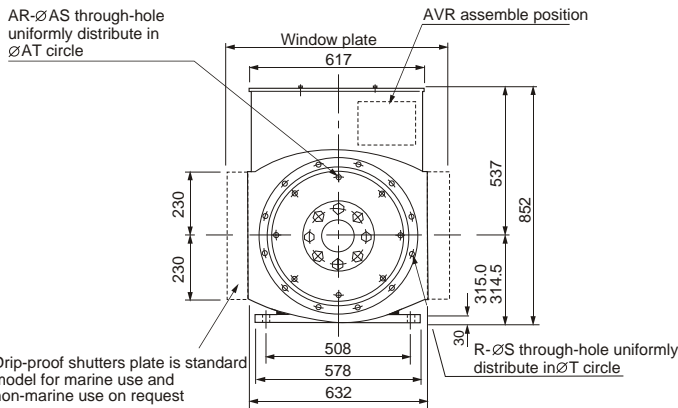
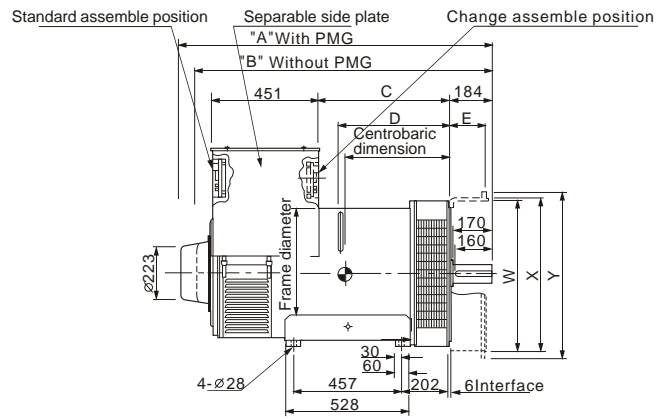
| RATINGS                       | Winding 311 / 0.8 Power Factor |     |     |     |     |     |     |     |                   |     |     |     |     |     |     |     |
|-------------------------------|--------------------------------|-----|-----|-----|-----|-----|-----|-----|-------------------|-----|-----|-----|-----|-----|-----|-----|
| Duty / Temp Rise / Ambient T° | Cont./125k/40°C                |     |     |     |     |     |     |     | Standby/150k/40°C |     |     |     |     |     |     |     |
| PHASE                         | 3 PHASE                        |     |     |     |     |     |     |     |                   |     |     |     |     |     |     |     |
| SERIES STAR                   | 416                            | 440 | 460 | 480 | 416 | 440 | 460 | 480 | 416               | 440 | 460 | 480 | 416 | 440 | 460 | 480 |
| PARALLEL STAR                 | 208                            | 220 | 230 | 240 | 208 | 220 | 230 | 240 | 208               | 220 | 230 | 240 | 208 | 220 | 230 | 240 |
| SERIES DELTA                  | 240                            | 254 | 266 | 277 | 240 | 254 | 266 | 277 | 240               | 254 | 266 | 277 | 240 | 254 | 266 | 277 |
| DOUBLE DELTA                  |                                |     |     |     |     |     |     |     |                   |     |     |     |     |     |     |     |
|                               | KVA                            | KW  | KVA | KW  | KVA | KW  | KVA | KW  | KVA               | KW  | KVA | KW  | KVA | KW  | KVA | KW  |
| SLG314C                       | 281                            | 225 | 294 | 235 | 300 | 240 | 313 | 250 | 300               | 240 | 313 | 250 | 319 | 255 | 332 | 266 |
| SLG314D                       | 338                            | 270 | 350 | 280 | 363 | 290 | 375 | 300 | 365               | 285 | 375 | 300 | 388 | 310 | 400 | 320 |
| SLG314E                       | 381                            | 305 | 394 | 315 | 406 | 325 | 419 | 335 | 406               | 325 | 419 | 335 | 431 | 345 | 444 | 355 |
| SLG314F                       | 444                            | 355 | 456 | 365 | 463 | 370 | 475 | 380 | 475               | 380 | 483 | 386 | 488 | 390 | 500 | 400 |
| SLG314G                       | 455                            | 364 | 480 | 384 | 500 | 400 | 500 | 400 | 485               | 388 | 515 | 412 | 535 | 428 | 535 | 428 |

## SLG314 External dimension

### SINGLE BEARING



### DOUBLE BEARING



| Model   | DIMENSION (mm) |      |             |      |             |      |             |      | C of G |
|---------|----------------|------|-------------|------|-------------|------|-------------|------|--------|
|         | A              |      | B           |      | C           |      | D           |      |        |
|         | SAE 1/2/0.5    | SAE0 | SAE 1/2/0.5 | SAE0 | SAE 1/2/0.5 | SAE0 | SAE 1/2/0.5 | SAE0 |        |
| SLG314C | 1172           | 1202 | 1101        | 1131 | 584         | 614  | 493         | 523  | 463    |
| SLG314D | 1172           | 1202 | 1101        | 1131 | 584         | 614  | 493         | 523  | 483    |
| SLG314E | 1172           | 1202 | 1101        | 1131 | 584         | 614  | 493         | 523  | 504    |
| SLG314F | 1262           | 1292 | 1191        | 1221 | 674         | 704  | 583         | 613  | 530    |
| SLG314G | 1262           | 1292 | 1191        | 1221 | 674         | 704  | 583         | 613  | 550    |

| Model   | DIMENSION (mm) |      |      |     |        | SHIPMENT DATA |          |               |
|---------|----------------|------|------|-----|--------|---------------|----------|---------------|
|         | A              | B    | C    | D   | C of G | N.W (kg)      | G.W (kg) | LXWXH (mm)    |
|         | SLG314C        | 1326 | 1255 | 554 | 463    | 443           | 800      | 860           |
| SLG314D | 1326           | 1255 | 554  | 463 | 453    | 890           | 950      | 1370X740X1090 |
| SLG314E | 1326           | 1255 | 554  | 463 | 474    | 980           | 1040     | 1370X740X1090 |
| SLG314F | 1416           | 1345 | 654  | 553 | 500    | 1110          | 1170     | 1470X740X1090 |
| SLG314G | 1416           | 1345 | 654  | 553 | 500    | 1160          | 1220     | 1470X740X1090 |

| Model   | SHIPMENT DATA |         |               |
|---------|---------------|---------|---------------|
|         | N.W(kg)       | G.W(kg) | LXWXH(mm)     |
| SLG314C | 800           | 850     | 1270X740X1080 |
| SLG314D | 890           | 940     | 1270X740X1080 |
| SLG314E | 960           | 1010    | 1270X740X1080 |
| SLG314F | 1110          | 1160    | 1330X740X1090 |
| SLG314G | 1160          | 1210    | 1330X740X1090 |

| S.A.E.NO. | FLANGE (mm) |      |       |       |       |       |     |
|-----------|-------------|------|-------|-------|-------|-------|-----|
|           | R           | S    | T     | W     | X     | Y     | E   |
|           | 0           | 16   | 14    | 679.5 | 632   | 647.6 | 711 |
| 1/2       | 12          | 14   | 619.1 | 569   | 584.1 | 648   | 150 |
| 1         | 12          | 12.7 | 530.2 | 496   | 511.1 | 553   | 150 |

| S.A.E.NO. | FLANGE (mm) |      |       |       |     |     |
|-----------|-------------|------|-------|-------|-----|-----|
|           | R           | S    | T     | X     | Y   | E   |
| 0         | 12          | 14   | 679.5 | 647.6 | 711 | 232 |
| 1/2       | 12          | 14   | 619.1 | 584.1 | 680 | 232 |
| 1         | 12          | 12.7 | 530.2 | 511.1 | 617 | 232 |
| 2         | 12          | 11   | 466.7 | 447.6 | 617 | 232 |

| S.A.E.NO. | SINGLE BEARING SAE NO SELECTOR |       |       |
|-----------|--------------------------------|-------|-------|
|           | SAE11.5                        | SAE14 | SAE18 |
| SAE 0     |                                | •     | •     |
| SAE 0.5   |                                | •     | •     |
| SAE 1     | •                              | •     |       |
| SAE 2     | •                              |       |       |

| S.A.E.NO. | DISC COUPLING (mm) |    |      |       |       |
|-----------|--------------------|----|------|-------|-------|
|           | AN                 | AR | AS   | AT    | V     |
| 11.5      | 39.68              | 8  | 11   | 333.4 | 352.3 |
| 14        | 25.40              | 8  | 13.5 | 438.1 | 466.6 |
| 18        | 15.87              | 6  | 16.7 | 543.0 | 571.4 |